

**Food Processor
 Stainless Steel Cutter Mixer - 11.5 LT - 2
 Speeds with Microtoothed Blade, Bowl
 and Scraper**

ITEM # _____

MODEL # _____

NAME # _____

SIS # _____

AIA # _____



600084 (K120S2)

* NOT TRANSLATED *

Main Features

- Productivity suitable for 100-200 meals per service.
- Food processor allows fast liquidizing, mixing, mincing, chopping and pastry-making.
- Delivered with:-11.5 liter stainless steel bowl with max liquid level indication to avoid spillage-micro toothed perforated blade-scraper
- Angled perforated knives and conical base of the bowl ensure consistent mixing.
- Lid with central opening to add ingredients in mid-cycle.
- Base fixed cover for a better handling.
- Cover metal frame to ensure seal water tightness to avoid leakage.
- All parts in contact with food are removable without tools and completely dismountable.
- Pulse function to coarse chopping.

Construction

- 304 AISI stainless steel bowl with leak resistant spout and handles, easy to manage.
- Scraper with SS handle, easy to dismount.
- 2 speeds: 1500 and 3000 rpm.
- Power: 2200 watts.
- IP65 touch button control panel.
- Cover handle with double safety locking system.
- Transparent BPA free cover incorporates a magnetic safety system which stops the machine if lid is not properly closed.
- A safety device requires to press the start button to restart the machine after a power cut.
- Asynchronous silent industrial motor for heavy duty and longer life.

Included Accessories

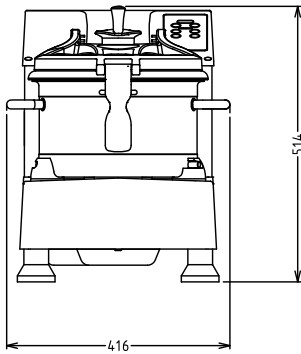
- 1 of - NOT TRANSLATED - PNC 650059
- 1 of - NOT TRANSLATED - PNC 650060
- 1 of - NOT TRANSLATED - PNC 650073

Optional Accessories

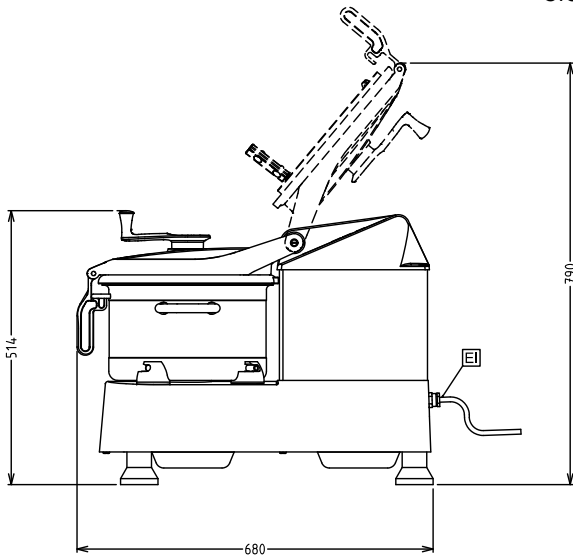
- - NOT TRANSLATED - PNC 650059
- - NOT TRANSLATED - PNC 650060
- - NOT TRANSLATED - PNC 650073
- Stainless steel mobile stand. Height: 730 mm PNC 653017
- Serrated blade rotor for 11,5 lt cutter mixer PNC 653299
- Serrated blade rotor for meat for 11,5 lt cutter mixer PNC 653538

APPROVAL: _____

Front

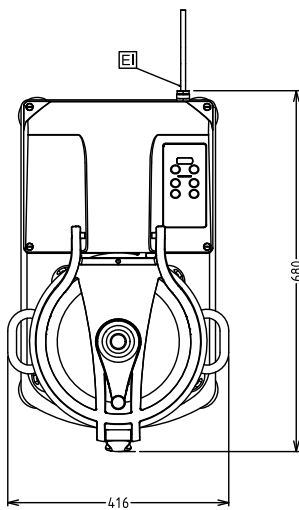


Side



EI = Electrical inlet (power)

Top





Electrolux
PROFESSIONAL

Food Processor
Stainless Steel Cutter Mixer - 11.5 LT - 2 Speeds
with Microtoothed Blade, Bowl and Scraper

Electric

Supply voltage:
600084 (K120S2) 380-415 V/3 ph/50 Hz
Electrical power max.: 2.2 kW
Total Watts: 2.2 kW

Capacity:

Performance (up to): 6 kg/Cycle
Capacity: 11.5 litres

Key Information:

External dimensions,
Width: 416 mm
External dimensions,
Depth: 680 mm
External dimensions,
Height: 517 mm
Shipping weight: 68 kg



Food Processor
Stainless Steel Cutter Mixer - 11.5 LT - 2 Speeds with Microtoothed Blade,
Bowl and Scraper
The company reserves the right to make modifications to the products
without prior notice. All information correct at time of printing.

2025.02.14